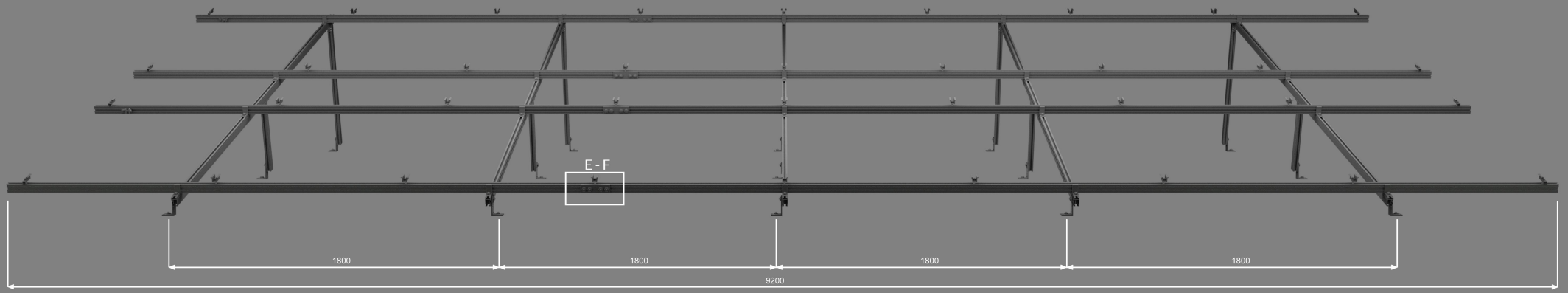
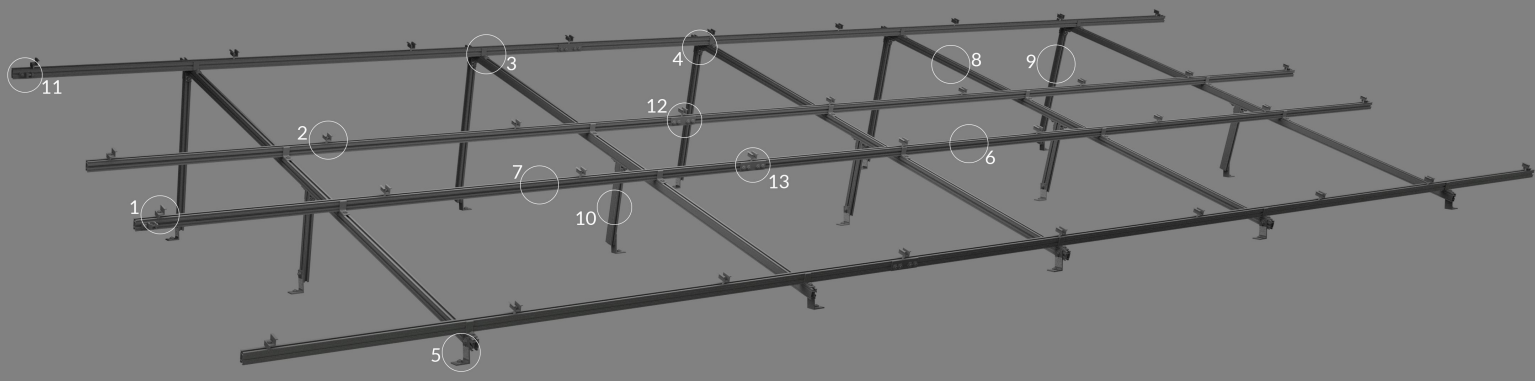
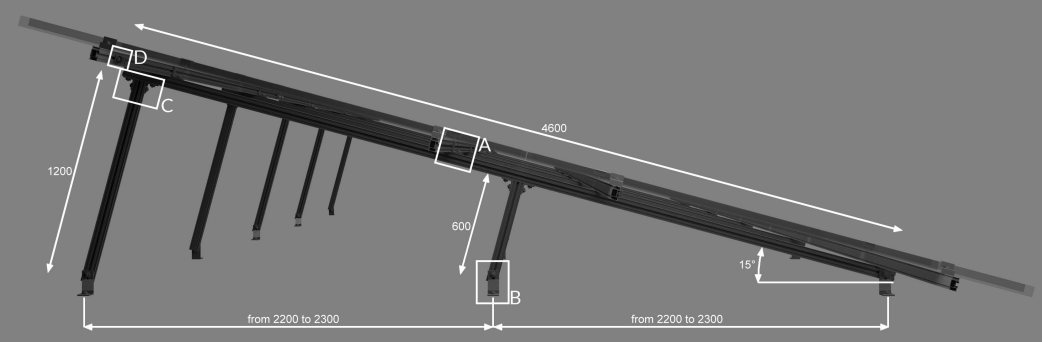


LIST OF MATERIALS

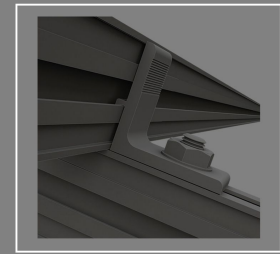
ITEM	CODE	DESCRIPTION	QUANTITY
1	OX-R6941/OX-R7003	Kit Zeta clamp	8
2	OX-R6942	Kit Omega clamp	28
3	OX-R6990	Kit Climber	20
4	OX-R6992	Kit L-lock	20
5	OX-R6991	Kit L-foot 105x50	15
6	OX-R6970	Rail Omnia 5.70mt	4
7	OX-R6970	Rail Omnia 3.50mt	4
8	OX-R6970	Rail Omnia 4.60mt	5
9	OX-R6970	Rail Omnia 1.20mt	5
10	OX-R6970	Rail Omnia 0.60mt	5
11	AT-01	Grounding lug	2
12	AT-02	Bonding Jumper	4
13	OX-R6940	Junction	4



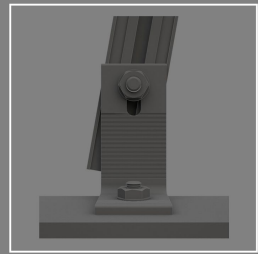
BACK VIEW



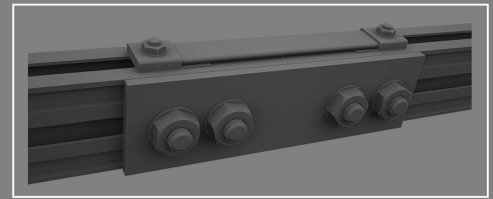
LEFT VIEW



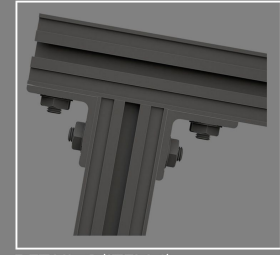
DETAIL A (ITEM 3)



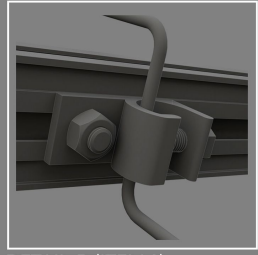
DETAIL B (ITEM 5)



DETAIL E - F (ITEM 10 - 11)



DETAIL C (ITEM 4)



DETAIL D (ITEM 9)

01	10-01-2022	EL					DATASHEET UPDATE
REV	REV DATE	DRWN	APVD	APVD	CHANGE NUMBER		DESCRIPTION
UNITS: CENTIMETERS							
DO NOT SCALE							
THIRD ANGLE PROJECTION							
TOLERANCES UNLESS NOTED XX ± .01 .XX ± .005 X / XX ± 1 / 32 ANGLES 2°							
CONFIDENTIAL THIS DRAWING IS THE EXCLUSIVE PROPERTY OF RALUX LINE PRODUCTS COMPANY AND IS TO BE USED ONLY WITH THE PRIOR EXPRESSED PERMISSION OF RALUX SOLAR							
(PRODUCTION DRAWING TITLE) RALUX OMNIA STRONG 2V - 15° INCLINATION							
QUALITY PLAN		APDW:	DATE:	PART NUMBER:	DRAWING NUMBER:		
QTY:	LABEL:	APDW:	DATE:	140960	140960		
0	CRITICAL DIMENSION	APDW:	DATE:				
0	VISUAL INSPECTION	APDW:	DATE:	SCALE: X:XXX	SHEET NO: 1 OF 1	ORIGIN:	REV: 01
THIS DRAWING IS RALUX RACKING SYSTEM PROPERTY AND IT CAN'T BE COPIED OR TRANSMITTED TO ANYONE AUTHORIZATION							