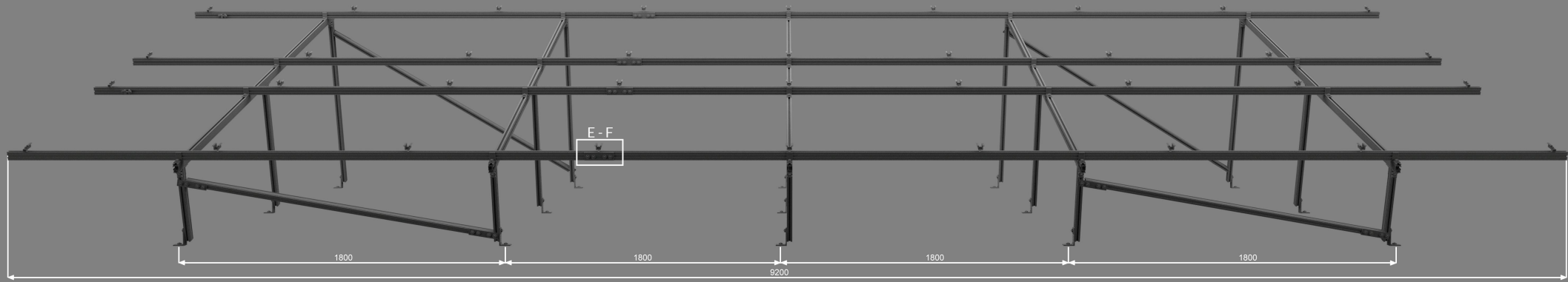
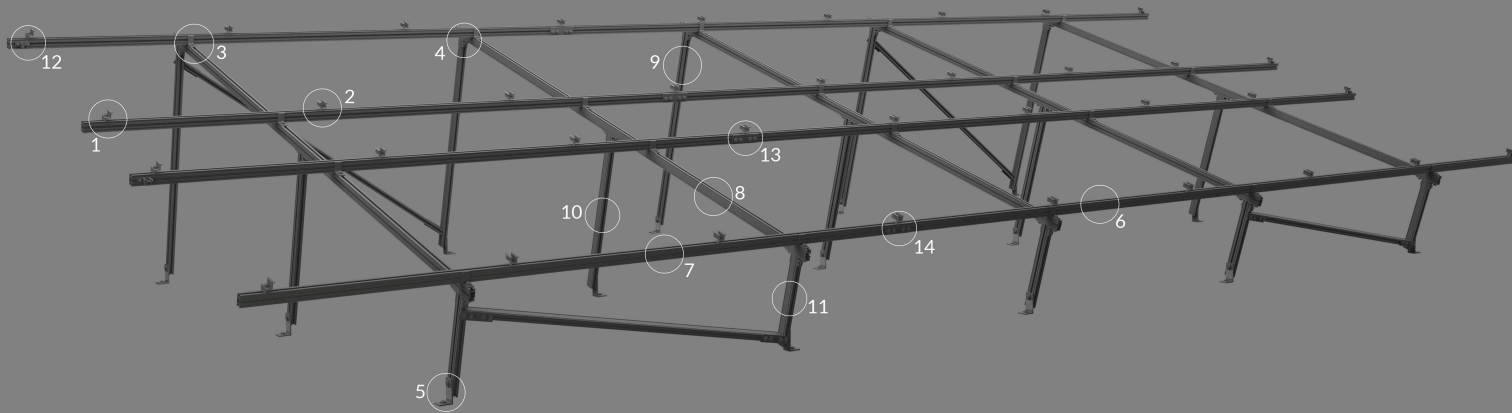
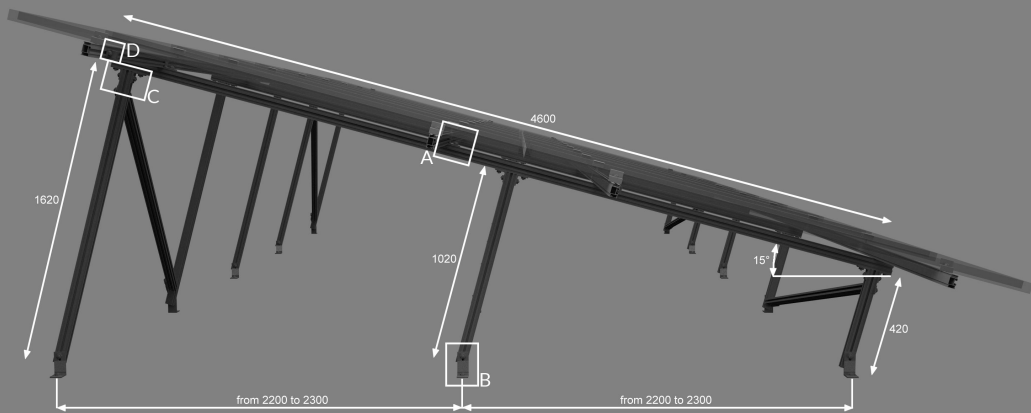


LIST OF MATERIALS

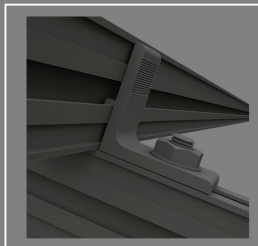
ITEM	CODE	DESCRIPTION	QUANTITY
1	OX-R6942/OX-R7003	Kit Zeta clamp	8
2	OX-R6941	Kit Omega clamp	28
3	OX-R6990	Kit Climber	20
4	OX-R6992	Kit L-lock	30
5	OX-R6991	Kit L-foot 105x50	15
6	OX-R6970	Rail Omnia 5.70mt	4
7	OX-R6970	Rail Omnia 3.50mt	4
8	OX-R6970	Rail Omnia 4.60mt	5
9	OX-R6970	Rail Omnia 1.62mt	5
10	OX-R6970	Rail Omnia 1.00mt	5
11	OX-R6970	Rail Omnia 0.45mt	5
12	AT-01	Grounding lug	2
13	AT-02	Bonding Jumper	4
14	OX-R6940	Junction	12



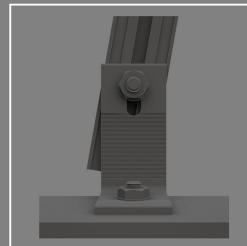
BACK VIEW



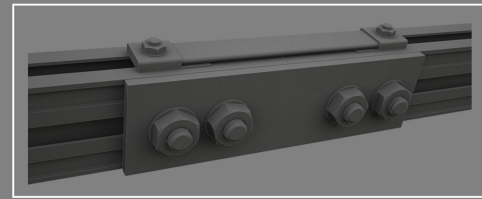
LEFT VIEW



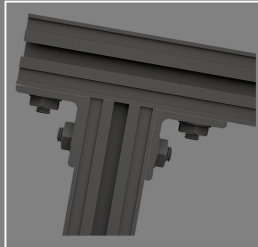
DETAIL A (ITEM 3)



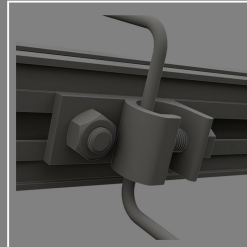
DETAIL B (ITEM 5)



DETAIL E - F (ITEM 10 - 11)



DETAIL C (ITEM 4)



DETAIL D (ITEM 9)

01	10-01-2022	EL							DATASHEET UPDATE
REV	REV DATE	DRWN	APVD	APVD	CHANGE NUMBER				DESCRIPTION
UNITS: CENTIMETERS									
DO NOT SCALE									
THIRD ANGLE PROJECTION									
<b>TOLERANCES</b> UNLESS NOTED .XX ± .01 .XXX ± .005 X / XX ± 1 / 32 ANGLES 2°									
<b>QUALITY PLAN</b> QTY: 0 LABEL: 0 CRITICAL DIMENSION: [V] VISUAL INSPECTION: [C]		APVD:	DATE:	PART NUMBER:	DRAWING NUMBER:				
		APVD:	DATE:	140962	140962				
SHEET SIDE:	0	APVD:	DATE:	SCALE: X:XXX	SHEET NO: 1 OF 1	ORIGIN:	REV: 01		
THIS DRAWING IS RALUX RACKING SYSTEM PROPERTY AND IT CAN'T BE COPIED OR TRANSMITTED TO ANYONE AUTHORIZATION									



CONFIDENTIAL  
 THIS DRAWING IS THE EXCLUSIVE PROPERTY OF RALUX LINE PRODUCTS COMPANY AND IS TO BE USED ONLY WITH THE PRIOR EXPRESSED PERMISSION OF RALUX SOLAR

PRODUCTION DRAWING TITLE  
 RALUX OMNIA STRONG  
 2V\_UP - 15° INCLINATION