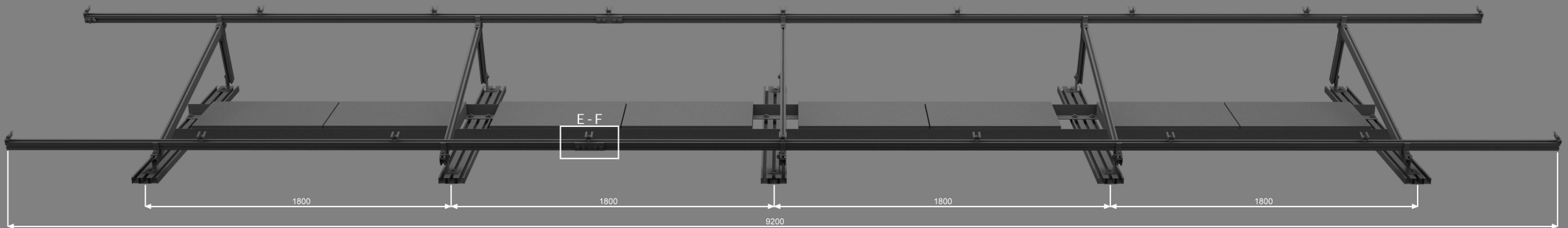
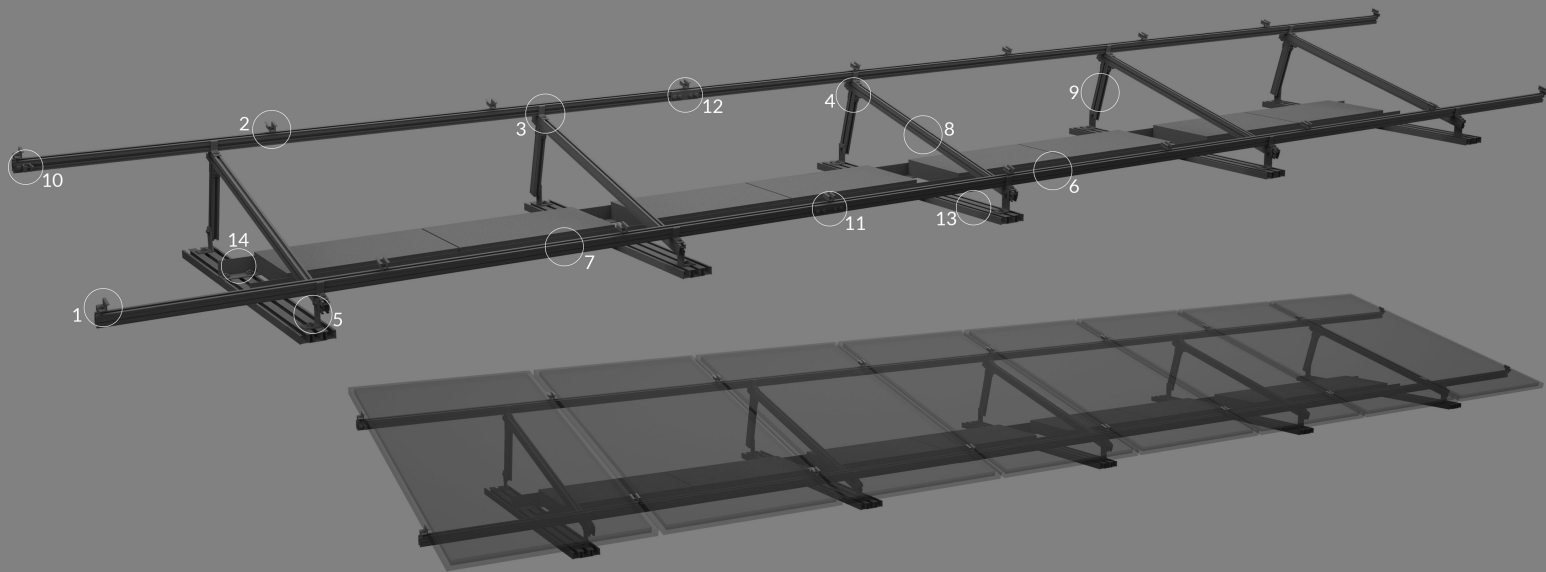


LIST OF MATERIALS

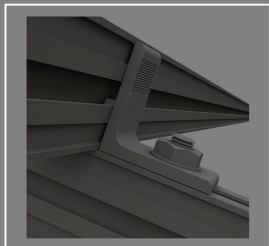
ITEM	CODE	DESCRIPTION	QUANTITY
1	OX-R6942/OX-R7003	Kit Zeta clamp	4
2	OX-R6941	Kit Omega clamp	14
3	OX-R6990	Kit Climber	10
4	OX-R6992	Kit L-lock	10
5	OX-R6991	Kit L-foot 105x50	10
6	OX-R6970	Rail Omnia 5.70mt	2
7	OX-R6970	Rail Omnia 3.50mt	2
8	OX-R6970	Rail Omnia 1.85mt	5
9	OX-R6970	Rail Omnia 0.50mt	5
10	AT-01	Grounding lug	1
11	AT-02	Bonding Jumper	2
12	OX-R6940	Junction	2
13	OX-R7290	Riel Runner 2.00mt	5
14	OX-R8040	L-ANGLE	4
15	01	Zapata de concreto	Variable



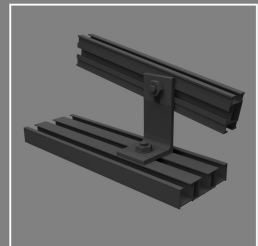
BACK VIEW



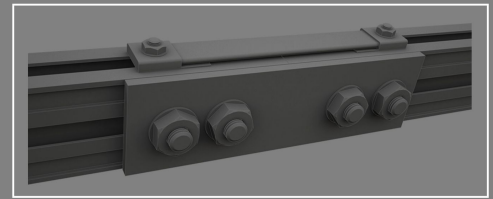
LEFT VIEW



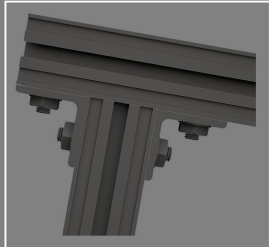
DETAIL A (ITEM 3)



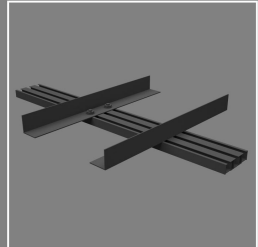
DETAIL B (ITEM 5)



DETAIL E - F (ITEM 10 - 11)



DETAIL C (ITEM 4)



DETAIL D (ITEM 9)

01	10-01-2022	EL							DATASHEET UPDATE
REV	REV DATE	DRWN	APVD	APVD	CHANGE NUMBER				DESCRIPTION
UNITS: CENTIMETERS									
DO NOT SCALE									
THIRD ANGLE PROJECTION									
TOLERANCES UNLESS NOTED .XX ± .01 .XXX ± .005 X / XX ± 1 / 32 ANGLES 2°									
CONFIDENTIAL THIS DRAWING IS THE EXCLUSIVE PROPERTY OF RALUX LINE PRODUCTS COMPANY AND IS TO BE USED ONLY WITH THE PRIOR EXPRESSED PERMISSION OF RALUX SOLAR									
(PRODUCTION DRAWING TITLE) RALUX OMNIA V1 NO FIX - 15° INCLINATION									
QUALITY PLAN		APVD:	DATE:	PART NUMBER:	DRAWING NUMBER:				
QTY:	LABEL:	APVD:	DATE:	140975	140975				
0	CRITICAL DIMENSION	APVD:	DATE:						
0	VISUAL INSPECTION	APVD:	DATE:	SCALE: X:XXX	SHEET NO: 1 OF 1	ORIGIN:	REV: 01		
THIS DRAWING IS RALUX RACKING SYSTEM PROPERTY AND IT CAN'T BE COPIED OR TRANSMITTED TO ANYONE AUTHORIZATION									