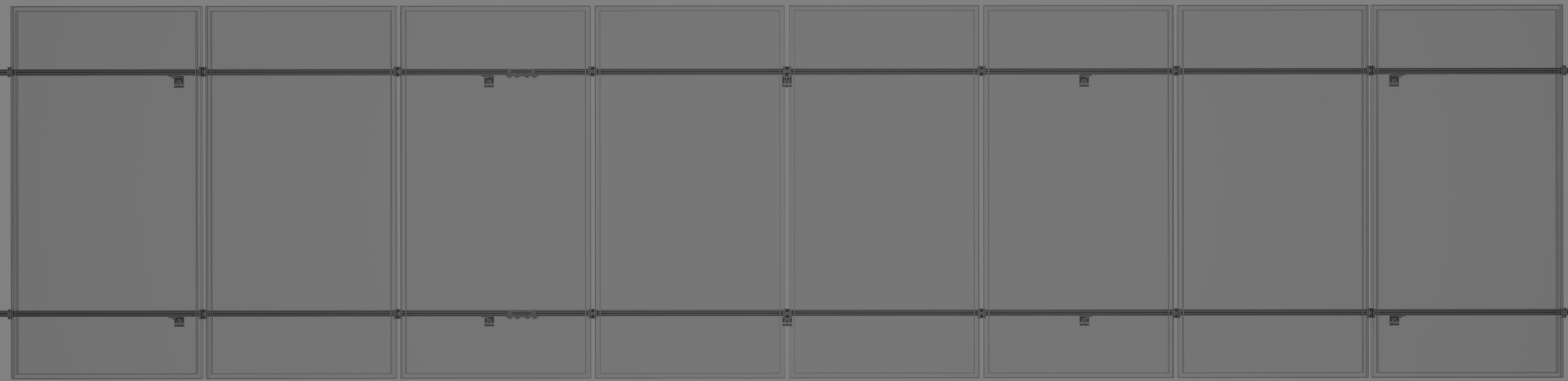
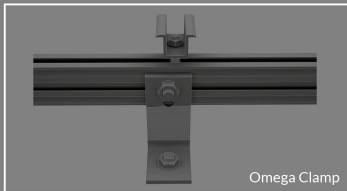
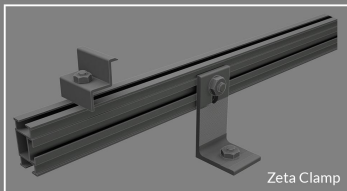
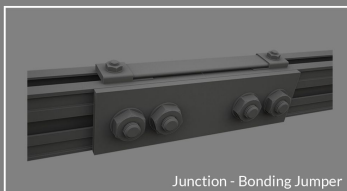
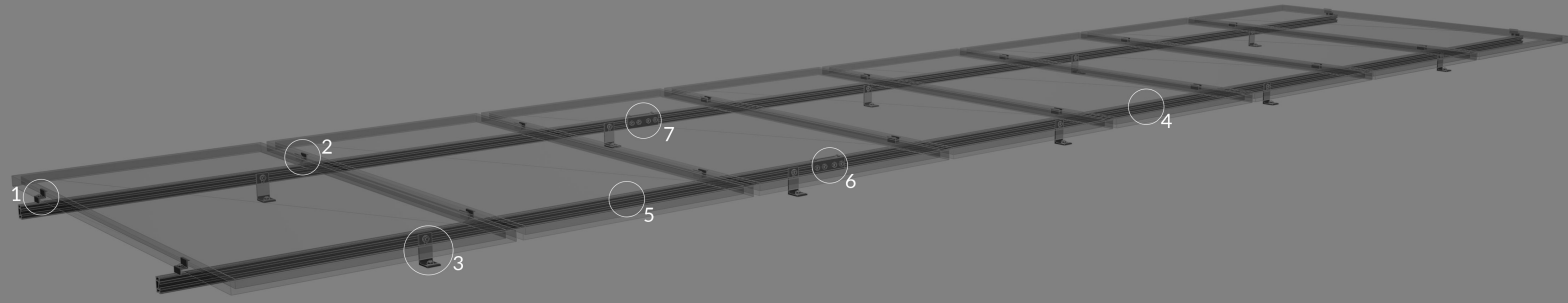
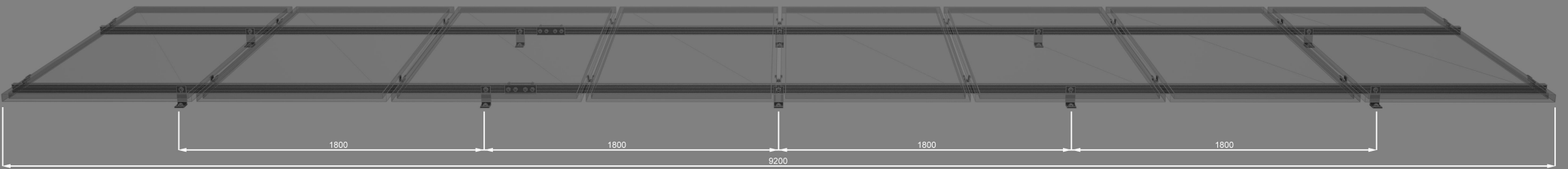


LIST OF MATERIALS			
ITEM	CODE	DESCRIPTION	QUANTITY
1	OX-R6941/0X-R7003	Kit Zeta clamp	4
2	OX-R6942	Kit Omega clamp	14
3	OX-R6991	Kit L - Foot 105 x 50	10
4	OX-R6970	Rail Omnia 5.70mt	2
5	OX-R6970	Rail Omnia 3.50mt	2
6	OX-R6940	Junction Omnia	2
7	AT-02	Bonding Jumper	2



TOP VIEW



FRONT VIEW



LEFT VIEW

01	10-01-2022	EL							DATASHEET UPDATE
REV	REV DATE	DRWN	APVD	APVD	CHANGE NUMBER				DESCRIPTION
UNITS: CENTIMETERS									
DO NOT SCALE									
THIRD ANGLE PROJECTION									
<b>TOLERANCES</b> UNLESS NOTED .XX ± .01 .XXX ± .005 X / XX ± 1 / 32 ANGLES 2°									
CONFIDENTIAL THIS DRAWING IS THE EXCLUSIVE PROPERTY OF RALUX LINE PRODUCTS COMPANY AND IS TO BE USED ONLY WITH THE PRIOR EXPRESSED PERMISSION OF RALUX SOLAR									
(PRODUCTION DRAWING TITLE) <b>FLAT SYSTEM - 8 PANELS</b>									
<b>QUALITY PLAN</b>		APDW:	DATE:	PART NUMBER:	DRAWING NUMBER:				
B	QTY:	LABEL:	CRITICAL DIMENSION:	APDW:	DATE:	223495	223495		
0	V	INSPECTION:	APDW:	DATE:	SCALE:	X:XXX	SHEET NO:	1 OF 1	ORIGIN:
SHEET SIDE:	0								REV: 01
THIS DRAWING IS RALUX RACKING SYSTEM PROPERTY AND IT CAN'T BE COPIED OR TRANSMITTED TO ANYONE AUTHORIZATION									