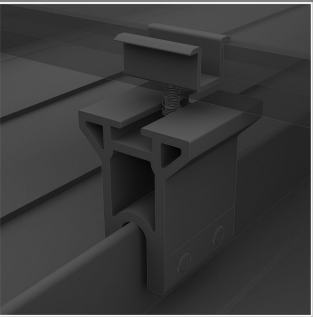
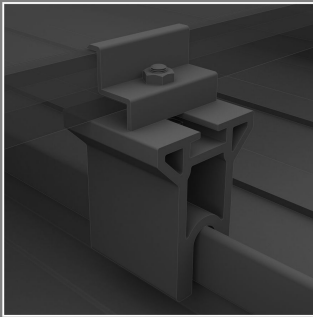
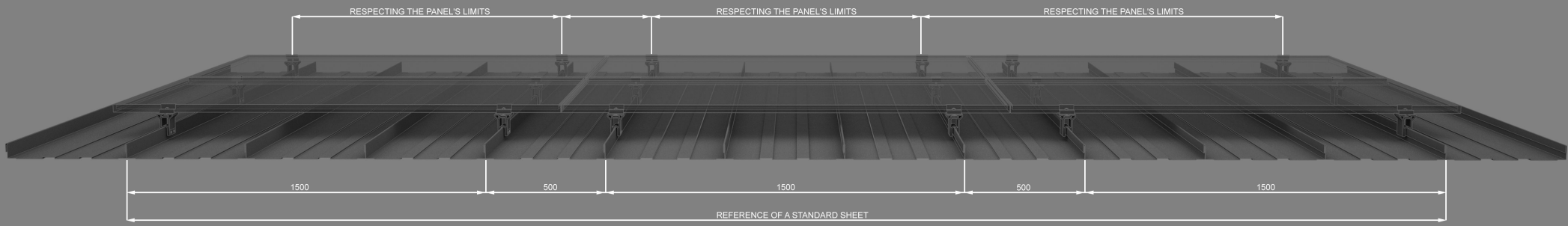
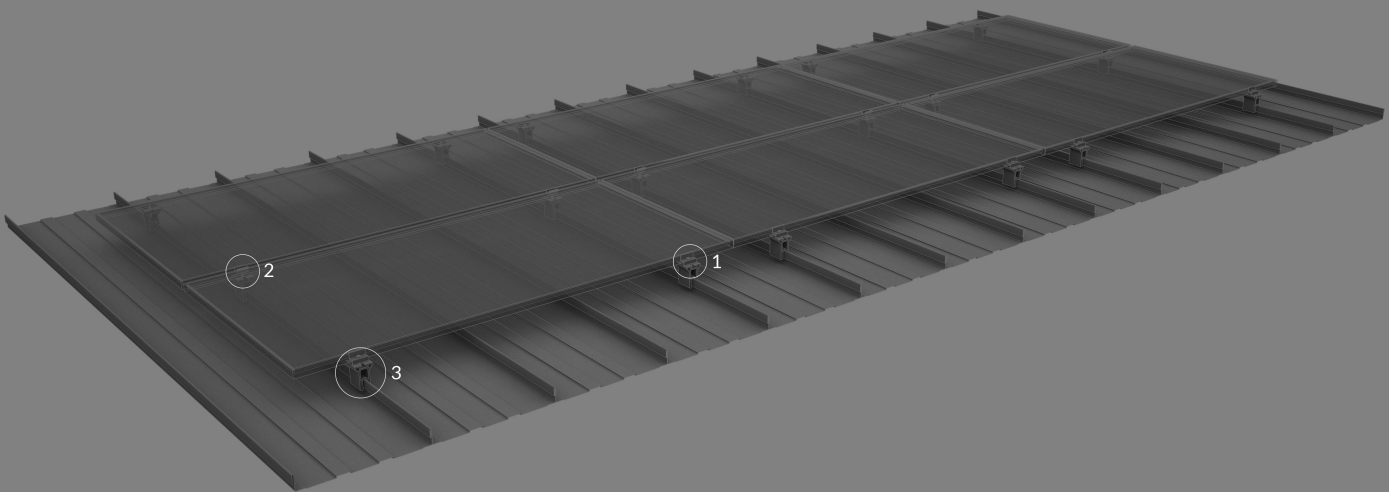


LIST OF MATERIALS			
ITEM	CODE	DESCRIPTION	QUANTITY
1	OX-R6941/OX-R7003	Kit Zeta clamp	12
2	OX-R6942	Kit Omega clamp	6
3	OX-R7150	Clip KR18/24 Zintek	18

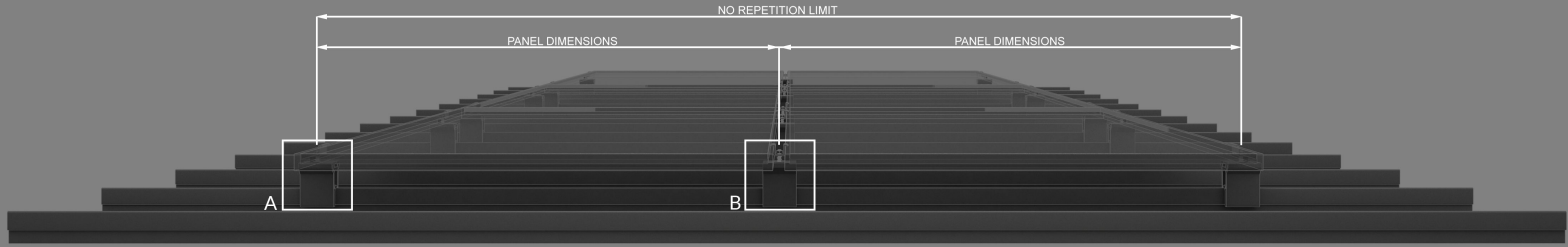


DETAIL A

DETAIL B



BACK VIEW



LEFT VIEW

01	10-01-2022	EL							DATASHEET UPDATE
REV	REV DATE	DRWN	APVD	APVD	CHANGE NUMBER				DESCRIPTION
UNITS: CENTIMETERS									
DO NOT SCALE									
THIRD ANGLE PROJECTION									
TOLERANCES UNLESS NOTED .XX ± .01 .XXX ± .005 X / XX ± 1 / 32 ANGLES 2°									
CONFIDENTIAL THIS DRAWING IS THE EXCLUSIVE PROPERTY OF RALUX LINE PRODUCTS COMPANY AND IS TO BE USED ONLY WITH THE PRIOR EXPRESSED PERMISSION OF RALUX SOLAR									
(PRODUCTION DRAWING TITLE) KR18 - ZINTEK LANDSCAPE SYSTEM									
QUALITY PLAN		APD.V:	DATE:	PART NUMBER:	DRAWING NUMBER:				
QTY:	LABEL:	APD.V:	DATE:	223598	223598				
0	C	APD.V:	DATE:						
0	V	APD.V:	DATE:	SCALE: X:XXX	SHEET NO: 1 OF 1	ORIGIN:	REV: 01		
SHEET SIDE:	0	VISUAL INSPECTION:							
THIS DRAWING IS RALUX RACKING SYSTEM PROPERTY AND IT CAN'T BE COPIED OR TRANSMITTED TO ANYONE AUTHORIZATION									