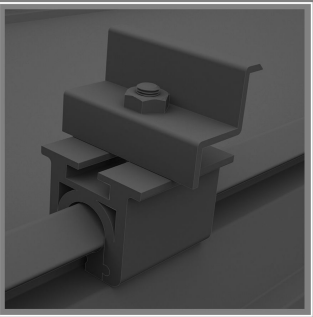
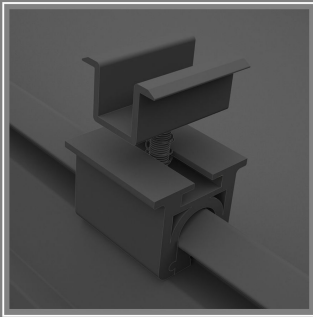
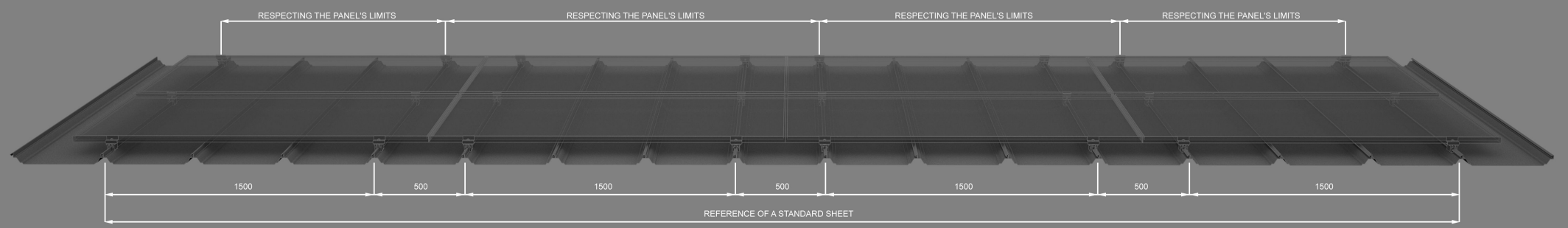
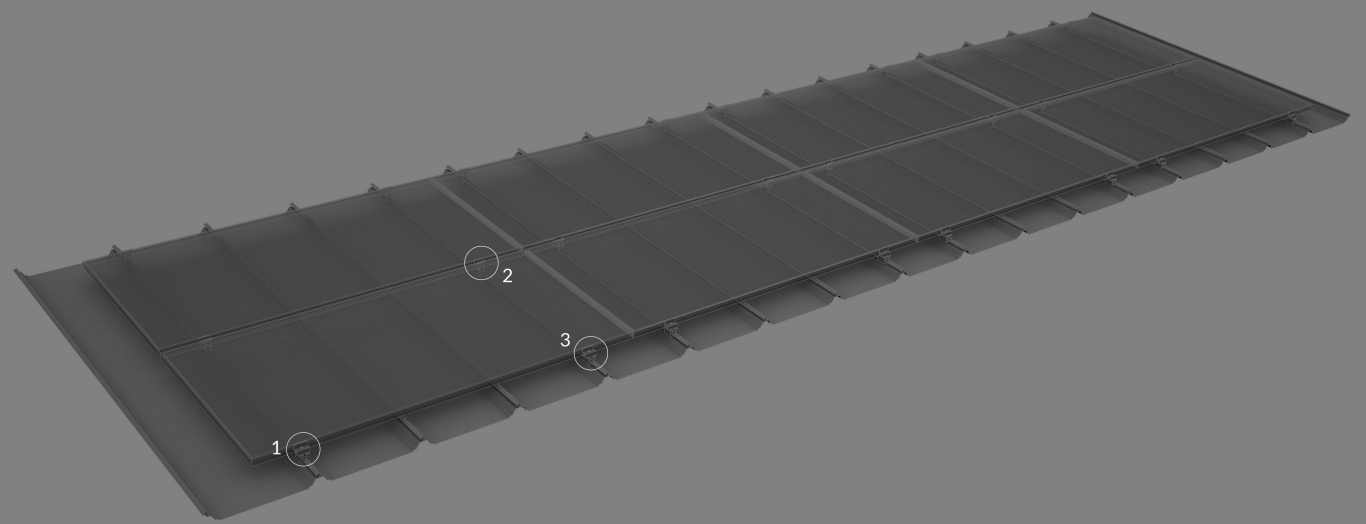


LIST OF MATERIALS			
ITEM	CODE	DESCRIPTION	QUANTITY
1	OX-R6941/OX-R7003	Kit Zeta clamp	16
2	OX-R6942	Kit Omega clamp	8
3	OX-R7032	Clip KR18/24 Landscape	24

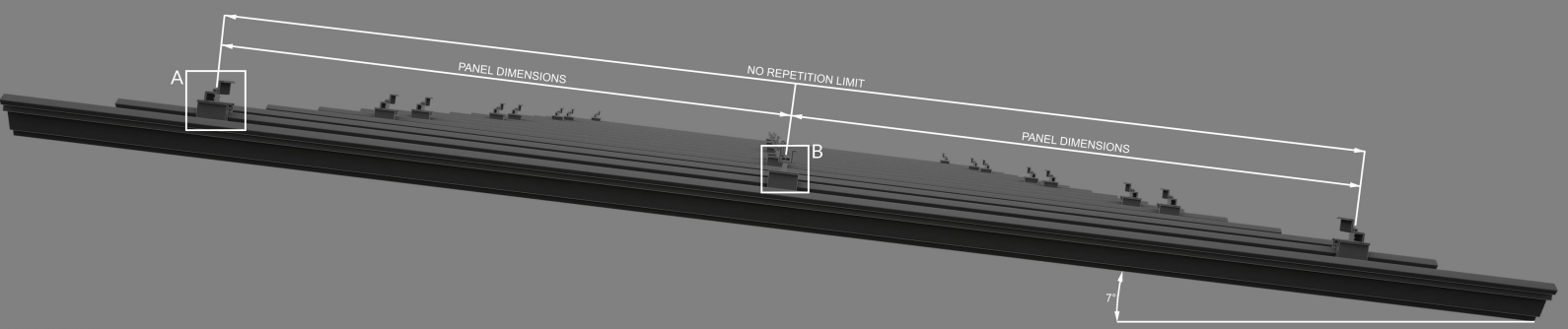


DETAIL A

DETAIL B



BACK VIEW



LEFT VIEW

01	10-01-2022	EL							DATASHEET UPDATE
REV	REV DATE	DRWN	APVD	APVD	CHANGE NUMBER				DESCRIPTION
UNITS CENTIMETERS									
DO NOT SCALE									
THIRD ANGLE PROJECTION									
TOLERANCES UNLESS NOTED .XX ± .01 .XXX ± .005 X / XX ± 1 / 32 ANGLES 2°									
CONFIDENTIAL THIS DRAWING IS THE EXCLUSIVE PROPERTY OF RALUX LINE PRODUCTS COMPANY AND IS TO BE USED ONLY WITH THE PRIOR EXPRESSED PERMISSION OF RALUX SOLAR									
(PRODUCTION DRAWING TITLE) KR18 - KALZIP LANDSCAPE SYSTEM									
QUALITY PLAN		APDW:	DATE:	PART NUMBER	DRAWING NUMBER				
B	QTY:	LABEL	APDW:	DATE:	223596	223596			
0	C	CRITICAL DIMENSION	APDW:	DATE:					
0	V	VISUAL INSPECTION	APDW:	DATE:	SCALE: X:XXX	SHEET NO: 1 OF 1	ORIGIN	REV: 01	
THIS DRAWING IS RALUX RACKING SYSTEM PROPERTY AND IT CAN'T BE COPIED OR TRANSMITTED TO ANYONE AUTHORIZATION									