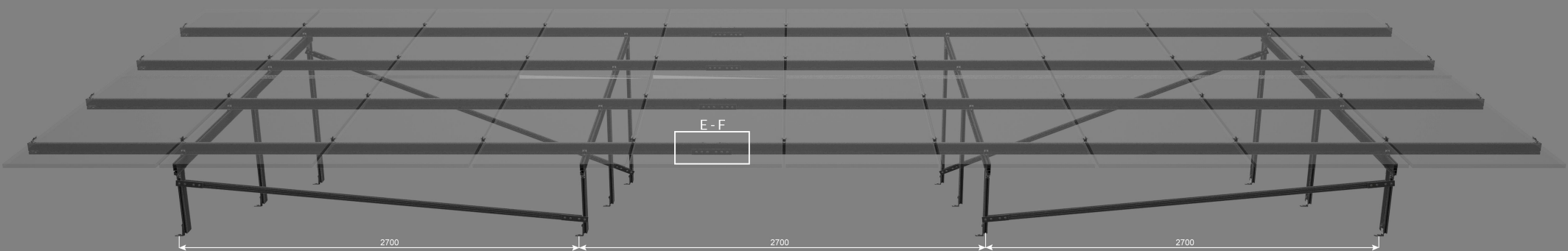
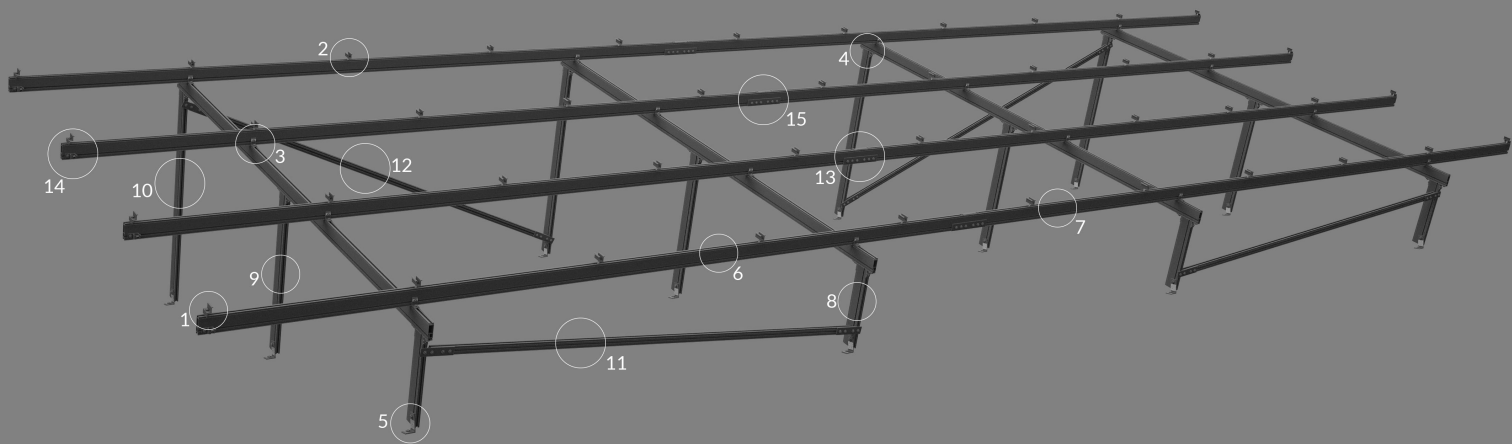


LIST OF MATERIALS

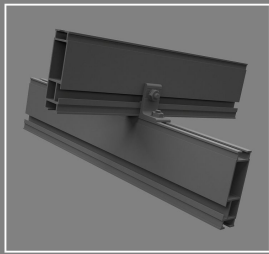
ITEM	CODE	DESCRIPTION	QUANTITY
1	OX-R6941	Kit Zeta clamp	8
2	OX-R6942	Kit Omega clamp	36
3	OX-R6990	Kit L-lock climber	20
4	OX-R6992	Kit L-lock pata trasera	16
5	OX-R6991	Kit L-foot 105x50	12
6	OX-R7215	Riel ACE 4.60mt	4
7	OX-R7215	Riel ACE 5.70mt	4
8	OX-R7215	Riel ACE 0.42mt	4
9	OX-R7215	Riel ACE 1.02mt	4
10	OX-R7215	Riel ACE 1.62mt	4
11	OX-R6970	Riel Omnia Strong 3.00mt	2
12	OX-R6970	Riel Omnia Strong 3.20mt	2
13	OX-R6940	Junction	4
14	AT-01	Grounding lug	4
15	AT-02	Bonding Jumper	4



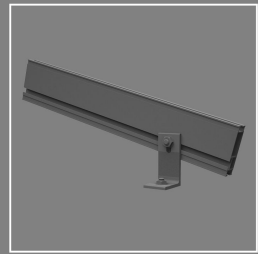
BACK VIEW



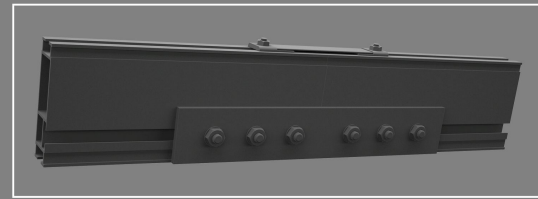
LEFT VIEW



DETAIL A (ITEM 3)



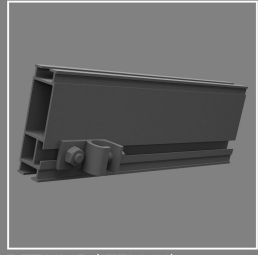
DETAIL B (ITEM 5)



DETAIL E - F (ITEM 13 - 15)



DETAIL C (ITEM 4)



DETAIL D (ITEM 14)

01	10-01-2022	EL							DATASHEET UPDATE
REV	REV DATE	DRWN	APVD	APVD	CHANGE NUMBER				DESCRIPTION
UNITS: CENTIMETERS									
DO NOT SCALE									
THIRD ANGLE PROJECTION									
TOLERANCES UNLESS NOTED .XX ± .01 .XXX ± .005 X/XX ± 1/32 ANGLES 2°									
CONFIDENTIAL THIS DRAWING IS THE EXCLUSIVE PROPERTY OF RALUX LINE PRODUCTS COMPANY AND IS TO BE USED ONLY WITH THE PRIOR EXPRESSED PERMISSION OF RALUX SOLAR									
(PRODUCTION DRAWING TITLE) RALUX ACE UP 2V - 15° INCLINATION									
QUALITY PLAN		APDV:	DATE:	PART NUMBER:	DRAWING NUMBER:				
QTY:	LABEL:	APDV:	DATE:	240150	240150				
0	CRITICAL DIMENSION	APDV:	DATE:						
0	VISUAL INSPECTION	APDV:	DATE:	SCALE:	SHEET NO:	ORIGIN:	REV:		
SHEET SIDE:	0			X:XXX	1 OF 1		01		