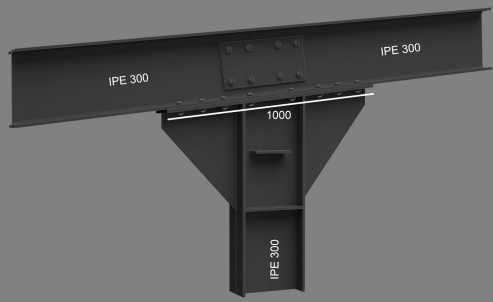
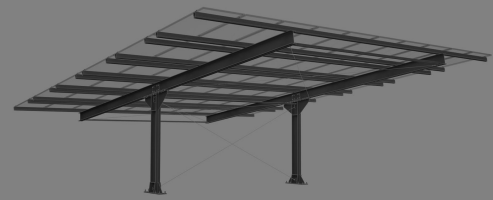
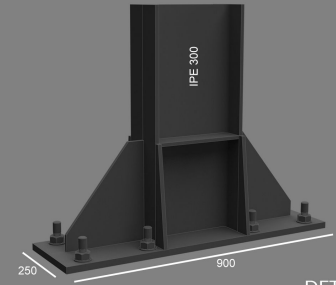


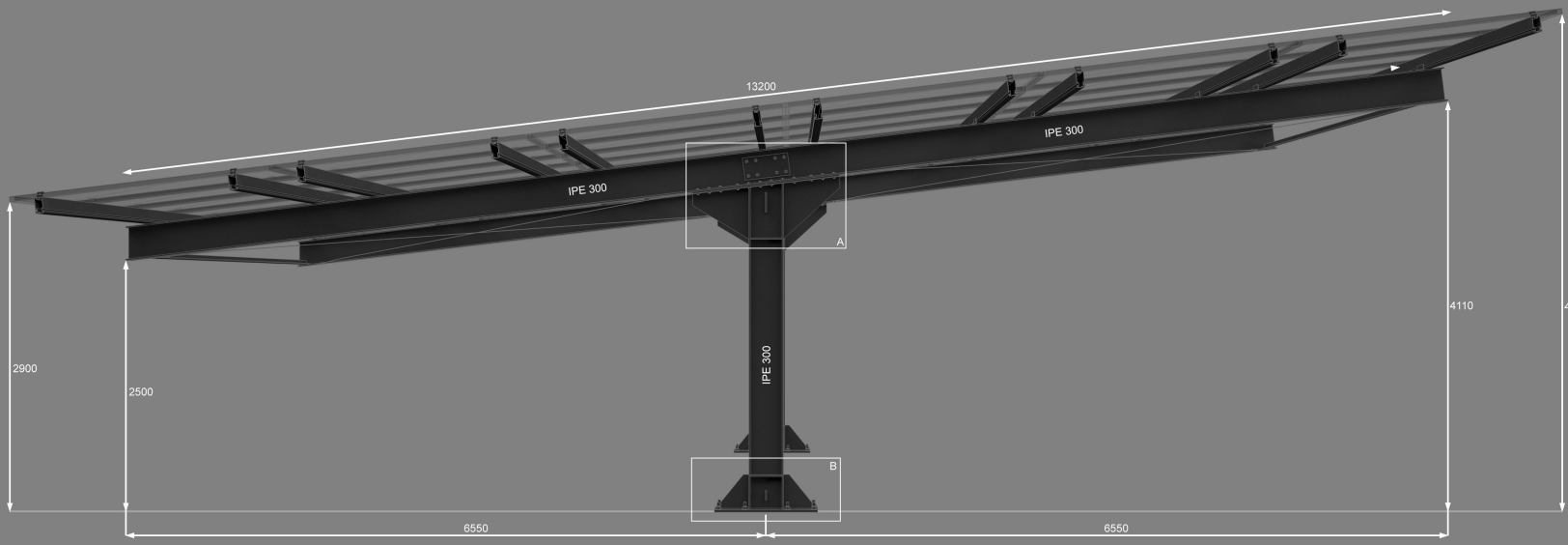
FRONT VIEW



DETAIL - A



DETAIL - B



LEFT VIEW

		SYSTEM: CAR PORT FIRENZE LONG	SCALE 1:XXX
drawing is for EVALUATION only			
DWG. N. OX - 101282	PROG. N. OX - 27803	MATERIAL: GALVANIZED STEEL	
UNI A/1	REVISION DATE: 10 - 01 - 2022	CODE : OX - LG01 - 290IT5	
<small>THIS DRAWING IS RALUX RACKING SYSTEM PROPERTY AND IT CAN'T BE COPIED OR TRANSMITTED TO ANYONE AUTHORIZATION</small>			